

navien Condensing Combi Boiler

Installation Manual

Stand-off Kit

Version: 1.0 (July, 2022)



Navien LTD

Building 2, Guildford Business Park, Guildford, GU2 8XG
TEL 0344 332 2323 www.navien.co.uk

navien Condensing Combi Boiler

Installation Manual

Stand-off Kit

Model | NCB700-2S+/42K
NCB700-3S/54K

 **WARNING**

If the information in these instructions is not followed exactly, a fire or explosion may result, causing property damage or personal injury.

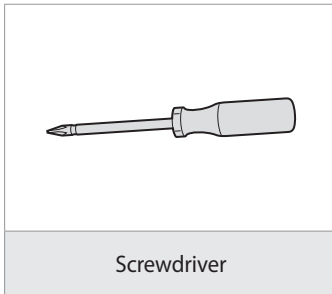
Installation and service must be performed by a qualified installer or service agency.

1. About the NCB700 ON Stand-off Kit

The NCB700 Stand-off kit is a separately supplied pack for facilitating the upward routing of the system flow and return pipework and the DHW pipework between the back of the upper boiler and the wall.

2. NCB700 ON Stand-off Kit Components

Required Tool



Included Items

		
Stand-off Kit Installation Manual	Tapping Screws & Anchors (6EA)	Stand Frame

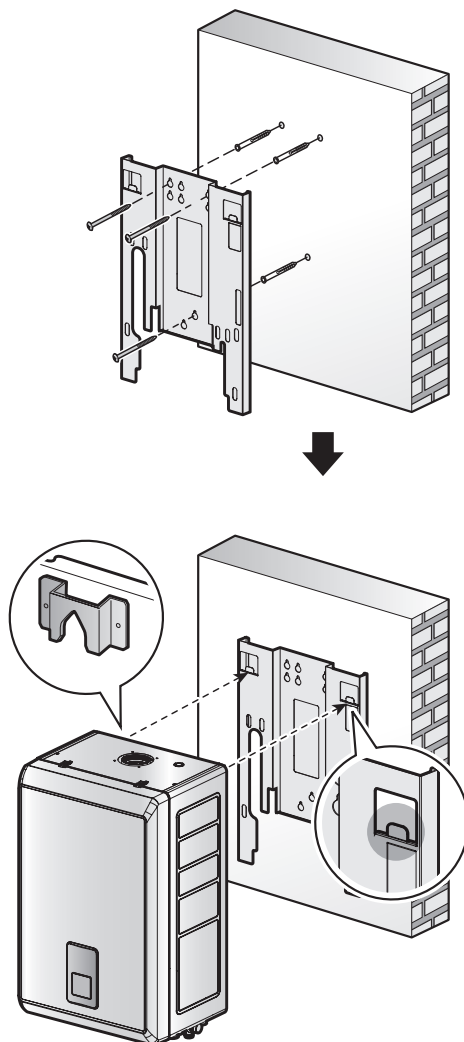
3. Important Notes before Installation

Read the following before installation.

- The NCB700 ON Stand-Off Kit allows the passage of the gas and the primary & DHW pipework upwards and to the rear of the appliance. It is comprised of the left and right side brackets and upper and lower crossmembers for added rigidity. An extended safety pressure relief discharge pipe is also supplied.
- The safety pressure relief and condensate pipes must be routed downwards from the boiler. If the boiler is installed in a cellar, these may be connected to the multifit boiler discharge pump, in which case the remote secondary safety relief discharge must also be used.
- Consideration must be given to the position of the flue in instances where it is to the rear of the appliance. Any vertical pipework must be routed so that it clears the flue.
- If the strength of the wall is insufficient or if the framing is non-standard or uneven, reinforce the area before installing the boiler. Avoid installation on common walls as the boiler will make some operational noises while it is running.

4. Installing the NCB700 ON Stand-off Kit to the boiler

1. Using the three screws and anchors, affix the stand frame securely to the wall and ensure that it is level and that it can support the weight of the boiler.
2. Align the grooves on the back of the boiler with the tongues on the stand frame and hang the boiler on the stand frame. When mounted with the mounting bracket, the boiler will have a 16 mm clearance from the back of the wall.



WARNING

- The boiler is heavy. Always lift the unit with assistance. Be careful not to drop the boiler while lifting or handling it to avoid bodily injury or damage to the unit.
- Do not rest the boiler on the bottom end after removing it from the shipping carton. Doing so may result in excessive pressure on protruding pipes and result in product damage. If you must put the boiler down, lay it on its back or put it inside the protective shipping base.

DANGER

- The boiler must be mounted on a suitable wall that can support its weight and prevent explosion or fire.
- Do not install the boiler near paper or other flammable objects.
- Do not install the boiler near domestic waste.