

NAVIENTM

Condensing Combi Boiler

Pipe Cover Installation Manual

Model

NCB700-2S+/42K
NCB700-3S/54K

This kit must be installed by a qualified installer in accordance with these instructions and all applicable codes and requirements of the authorities having jurisdiction.

Keep this manual near the boiler for future reference whenever maintenance or service is required. The following safety symbols are used in this manual.

Read and follow all safety instructions in this manual precisely to avoid unsafe operating conditions, fire, explosion, property damage, personal injury, or death.

DANGER

Indicates an imminently hazardous situation which, if not avoided, could result in severe injury or death.

WARNING

Indicates a potentially hazardous situation which, if not avoided, could result in injury or death.

CAUTION

Indicates a potentially hazardous situation that, if not avoided, could result in property damage.

DANGER

If the information in these instructions is not followed exactly, a fire or explosion may result, causing property damage, personal injury, or death.

- Installation and service must be performed by a qualified installer, service agency or the gas supplier.
- The installation must conform with local codes or, in the absence of local codes, the National Fuel Gas Code, ANSI Z223.1/NFPA 54 and/or CSA B149.1, Natural Gas and Propane Installation Code.

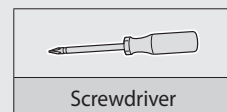
WARNING

Do not store or use gasoline or other flammable liquids near this boiler. Doing so may result in fire or explosion.

WARNING

This product can expose you to chemicals including lead, lead compounds, and carbon bisulfide which are known to the State of California to cause cancer and birth defects or other reproductive harm.

Required Tool



Included Items

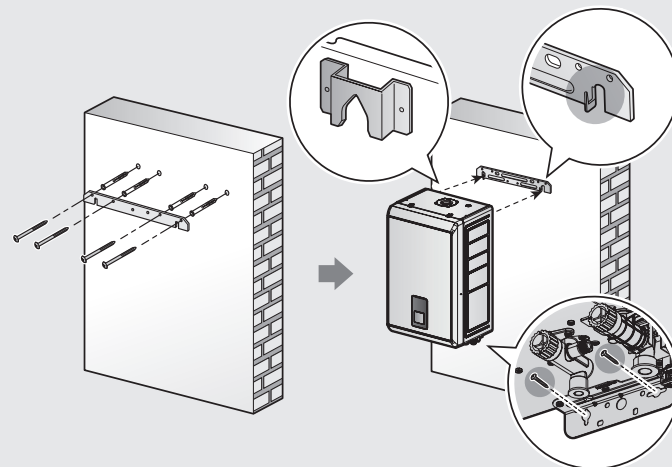
Left Side Cover	Right Side Cover	Front Cover
Tapping Screws & Anchors 6 EA	Tapping Screws & Magnets 6 EA	Installation Manual

Mounting Boiler

Navien boilers come with an upper mounting bracket that is pre-drilled at 16 in for easy installation on standard wall studs. If the strength of the wall is insufficient or if the framing is non-standard or uneven, reinforce the area before installing the boiler. Avoid installation on common walls as the unit will make some operational noises while it is running.

To mount the boiler to the wall:

1. Affix the bracket securely to the wall and ensure that it is level and that it can support the weight of the boiler.
2. Align the grooves on the back of the boiler with the tongues on the mounting bracket and hang the boiler on the bracket.
When mounted with the mounting bracket, the boiler will have a 5/8 in (16 mm) clearance from the back of the wall.
3. Install two set screws through the bracket at the bottom of the boiler to secure the boiler on the wall.

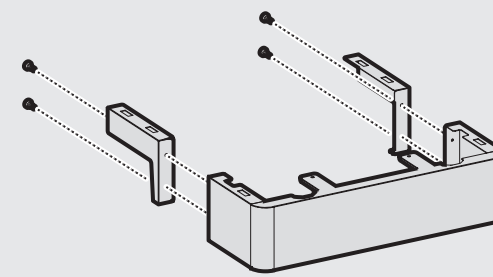


CAUTION

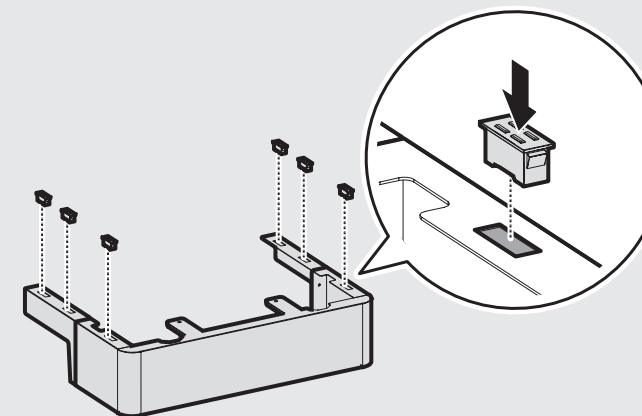
Do not mount the boiler to drywall that has not been reinforced.

Installing Pipe Cover

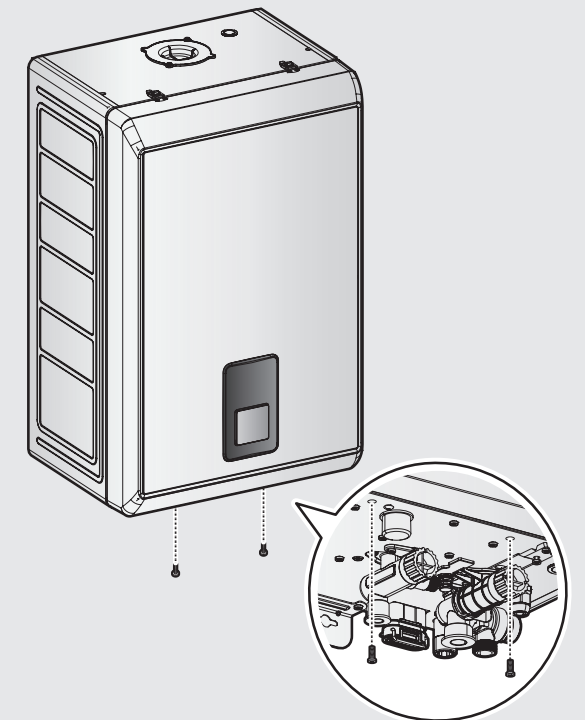
1. Align the left and right covers to the front cover and assemble using 4 screws.



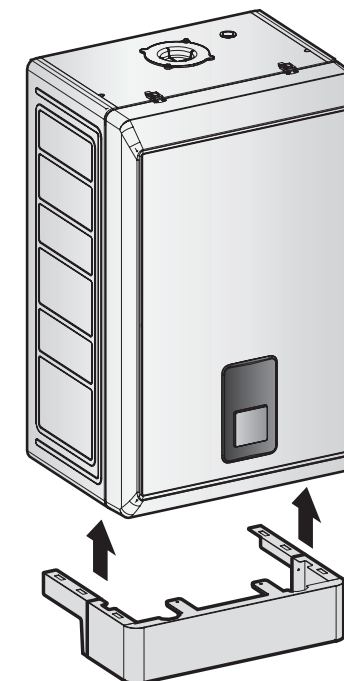
2. Insert 6 magnets into the assembled pipe cover hole.



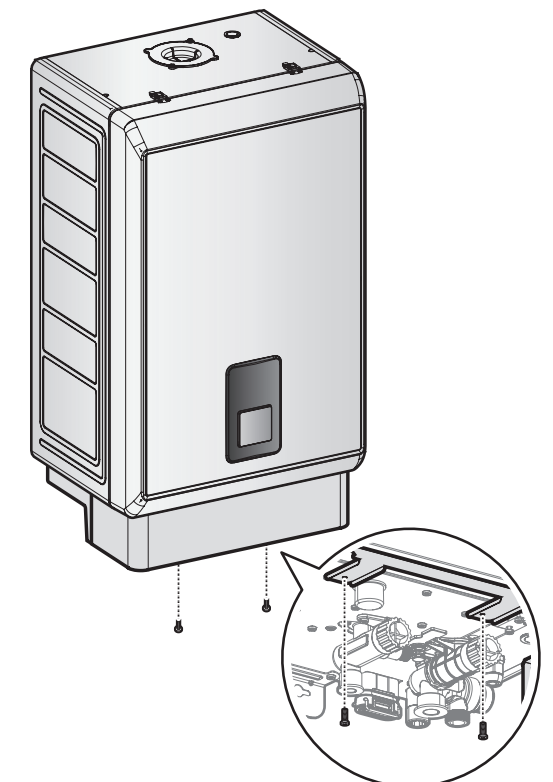
3. Remove two screws from the lower part of boiler.



4. Attach the pipe cover to the boiler.



5. Reassemble the two disassembled screws.



1 3
2 4



Navien LTD
Building 2, Guildford Business Park, Guildford, GU2 8XG
TEL 0344 332 2323 www.navien.co.uk