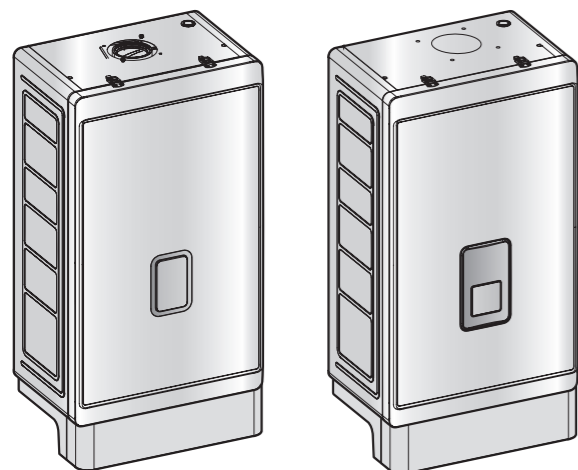


Pipe Cover Installation Manual



Model		
NCB300-28K	NCB500-1S+/30k	20060417A
NCB300-30K	NCB500-1S+/32k	
NCB300-37K	NCB500-2S/37K	
NCB300-41K	NCB500-2S+/41K	

This kit must be installed by a qualified installer in accordance with these instructions and all applicable codes and requirements of the authorities having jurisdiction.

Keep this manual near the boiler for future reference whenever maintenance or service is required. The following safety symbols are used in this manual.

Read and follow all safety instructions in this manual precisely to avoid unsafe operating conditions, fire, explosion, property damage, personal injury, or death.

! DANGER

Indicates an imminently hazardous situation which, if not avoided, could result in severe injury or death.

! WARNING

Indicates a potentially hazardous situation which, if not avoided, could result in injury or death.

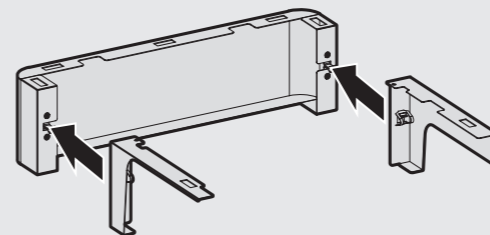
! CAUTION

Indicates a potentially hazardous situation that, if not avoided, could result in property damage.

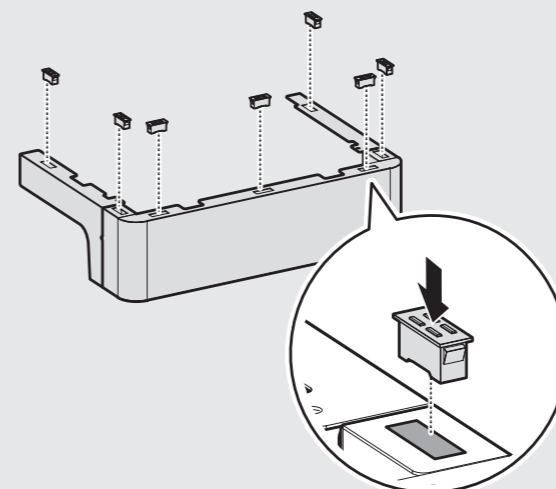
1 3
2 4

Installing Pipe Cover

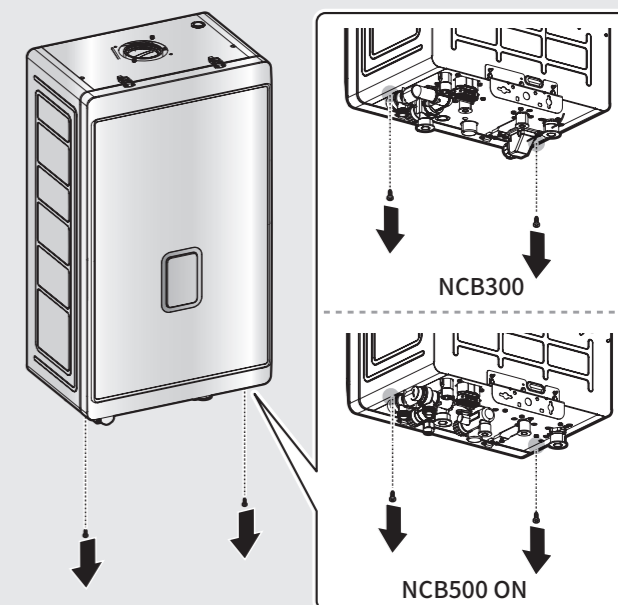
1. Attach the left and right side covers to the front cover.



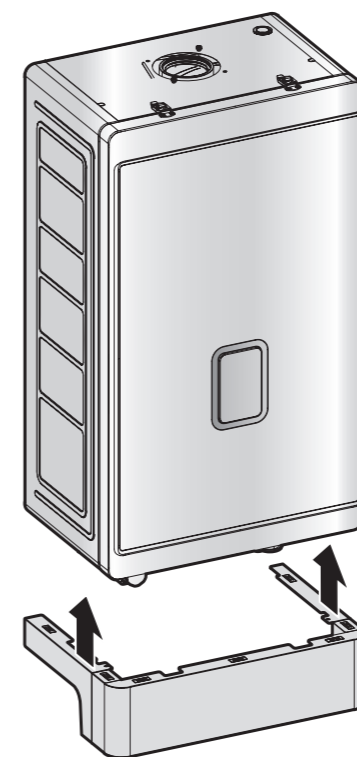
2. Insert seven magnets into the assembled pipe cover holes.



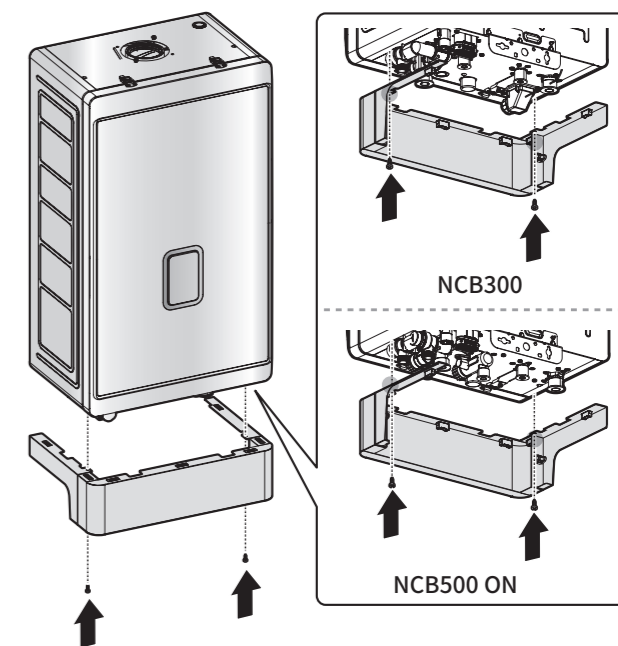
3. Remove the two screws at the bottom of the boiler.



4. Attach the pipe cover to the bottom of the boiler.



5. Properly align the pipe cover with the bottom of the boiler, and then fasten the two screws (previously removed from the boiler) or use spare screws to secure the pipe cover to the boiler.



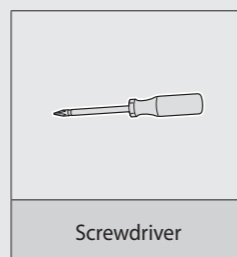
! DANGER

- If the information in these instructions is not followed exactly, a fire or explosion may result, causing property damage, personal injury, or death.
- Installation and service must be performed by a qualified installer, service agency or the gas supplier.

! WARNING

Do not store or use gasoline or other flammable liquids near this boiler. Doing so may result in fire or explosion.

Required Tool



Included Items

Left Side Cover	Right Side Cover	Front Cover
Self Drilling Screws (2 EA) & Magnets (7 EA)	Installation Manual	