

NPE Instantaneous Water Heaters

Navien makes an efficient, easy to go instantaneous water heater in residential and commercial applications.



welcome to Navien

We have been designing and manufacturing reliable and easy to install products for over 40 years, making Navien the fourth largest global boiler manufacturer. From the latest gas-firing technology, to micro-CHP and solar, we are committed to developing highly efficient heating equipment.



World's largest facility

Our state-of-the-art facility in Seotan, South Korea, is the world's largest boiler manufacturing plant, with an annual capacity of 2 million units. We utilise the latest research and development, along with high-tech manufacturing methods to deliver heating products of unrivalled quality, unbeaten performance and with superb reliability over their lifetime.



Why choose Navien NPE?

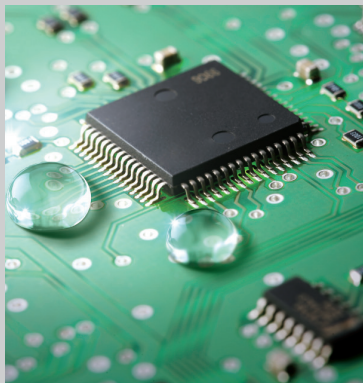
Navien's NPE the proven leader in instantaneous water heater, this makes it even easier to sell, install and set up.

Advanced technology for a cleaner World

Navien's high efficiency and eco-friendly technology has reduced energy consumption by 20% and cut down the emissions of greenhouse gases. Our NPE tankless gas water heaters provide an ultra-high efficiency rating up to 107.2%

Fewer callbacks, longer life, faster heating

Navien is the first to offer dual stainless steel heat exchangers, rather than copper, which extends the life of the unit by resisting corrosion.



Conformal coated waterproof PCB board

We design and manufacture our boiler components to the highest standards to deliver reliability and maximum performance.



Before leaving our factory, every boiler undergoes a thorough, two-stage testing procedure.

This includes a specialised robotic process that carries out 55 quality checks per second. In addition, each unit receives a full working test by an operative, who completes a further 250 quality checks, ensuring all Navien products are of the highest standard.

NPE-Standard

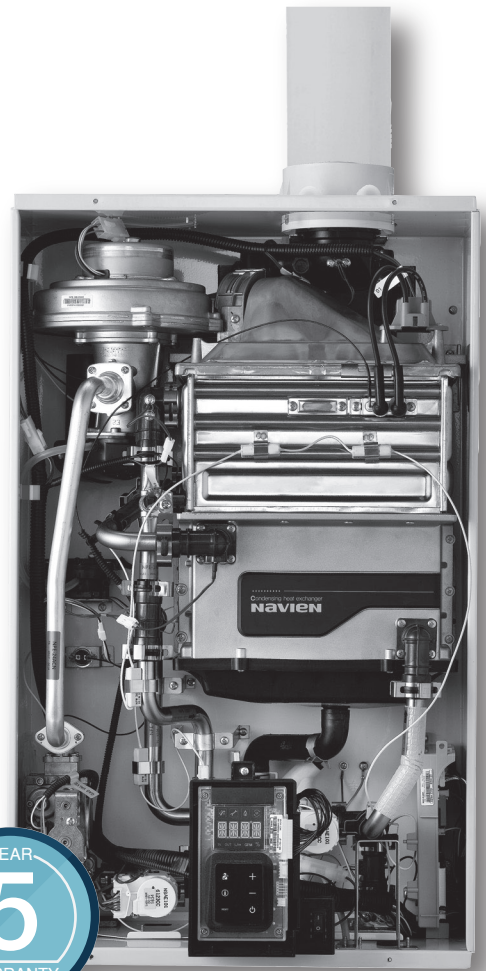
Our standard ultra condensing instantaneous technology is the industry's top rated unit for energy efficiency

UP TO
107.2%

STAINLESS
STEEL
HEAT EXCHANGERS

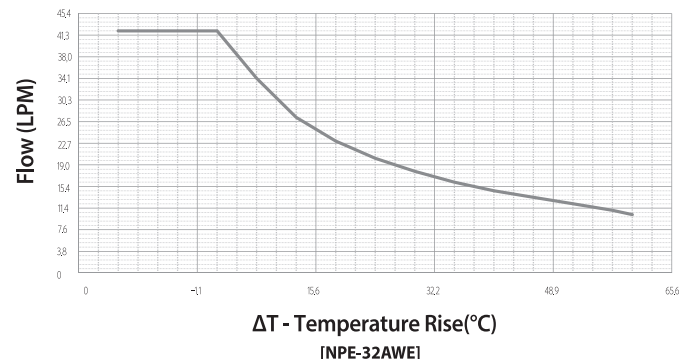
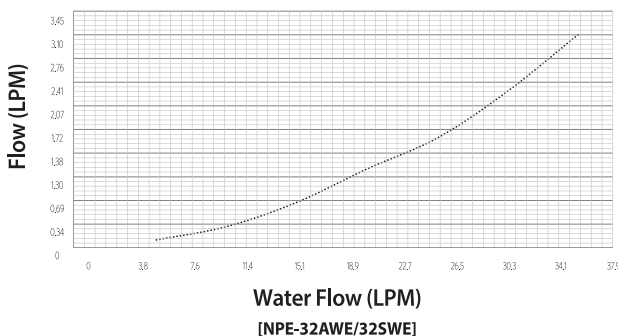
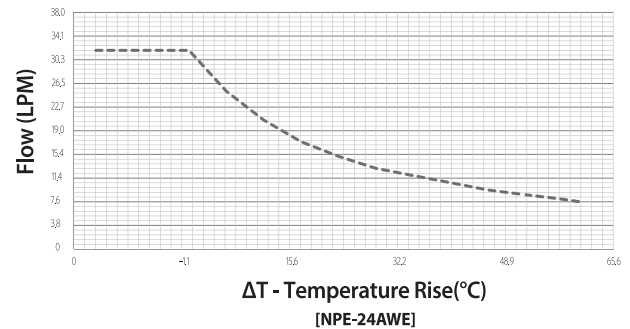
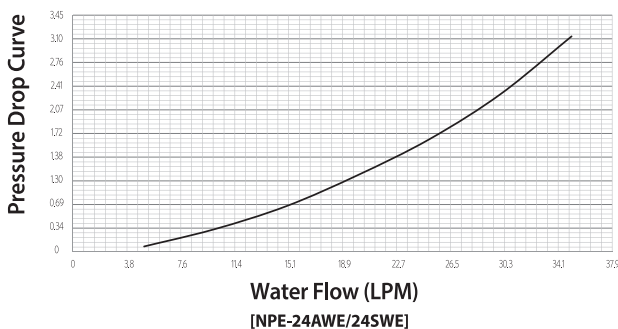
NG OR LPG
FIELD GAS CONVERTIBLE

YEAR
5
WARRANTY



NPE Water Heaters series facts

Models	NPE-24AWE	NPE-24SWE	NPE-32AWE	NPE-32SWE
LPG (KW/H)	4.4~42.3	4.4~42.3	5.8~56.6	5.8~56.6
Natural gas (KW/H)	4.4~42.3	4.4~42.3	5.8~56.6	5.8~56.6

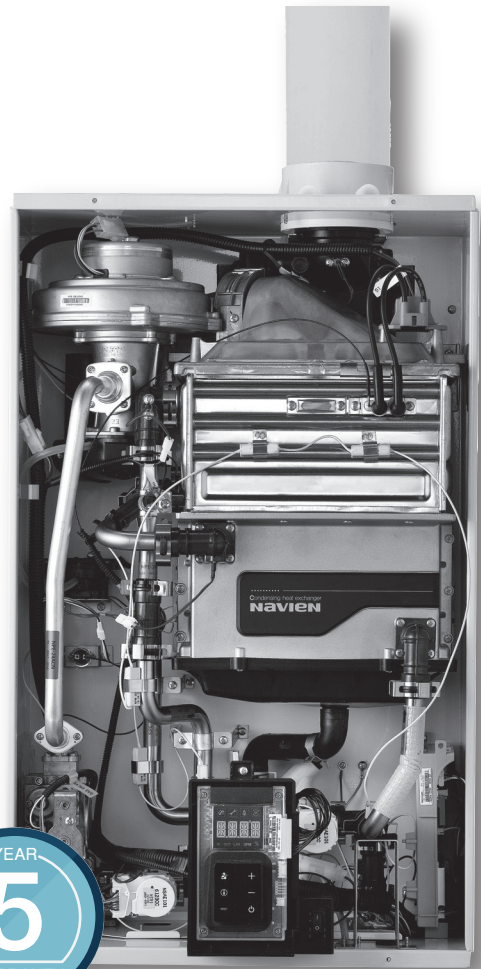


NPE-Advanced

Our advanced high efficiency condensing instantaneous water heater technology with the buffer tank

UP TO
107.2%

FLUEING
UP TO 21M
Φ60/120



Hot Water Delivery Temperature and Performance

Typical Solution for 2 NPE 32SWE Water Heater

Specification for 200 litres of hot water supplies at 85 °C

- Flow rage @ 75°C Δt 21.63 l/min
- Time to deliver 200l @ 85°C 9.2 min
- Gas used to deliver 200 @ 85°C 1.52kG
- Gas used to deliver 200 @ 85°C 3.02 ltr

Specification for 200 litres of hot water supplies at 75 °C

- Flow rage @ 65°C Δt 24.96 l/min
- Time to deliver 200l @ 85°C 8 min
- Gas used to deliver 200 @ 85°C 1.32kG
- Gas used to deliver 200 @ 85°C 2.62 ltr

Due to the inhouse design of the Navien stainless steel heat exchanger and high efficiencies, the NPE water heaters can produce outstanding hot water flow rates with a low fuel consumption.

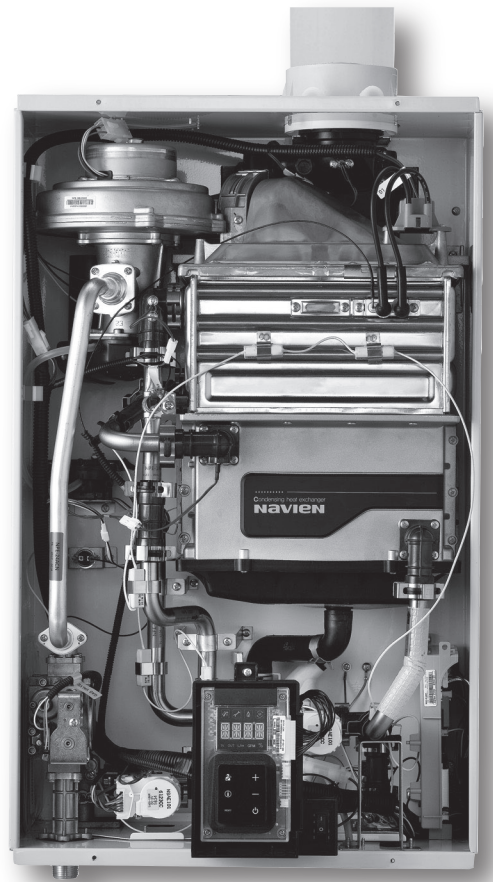


Stainless steel heat exchanger

ComfortFlow[®]

Exclusive built-in
recirculation system
included on all
NPE-A models

Navien ComfortFlow[®] is the first and only system that incorporates a built-in insulated buffer tank and recirculation pump. The buffer tank eliminates the “cold water sandwich” effect and issues of minimum flow rates commonly found in other tankless water heaters. The recirculation pump saves on water bills by reducing the time to get hot water. When activated, the optional ComfortFlow mode results in additional energy usage.



Cascade up to 16 units with Ready-Link technology

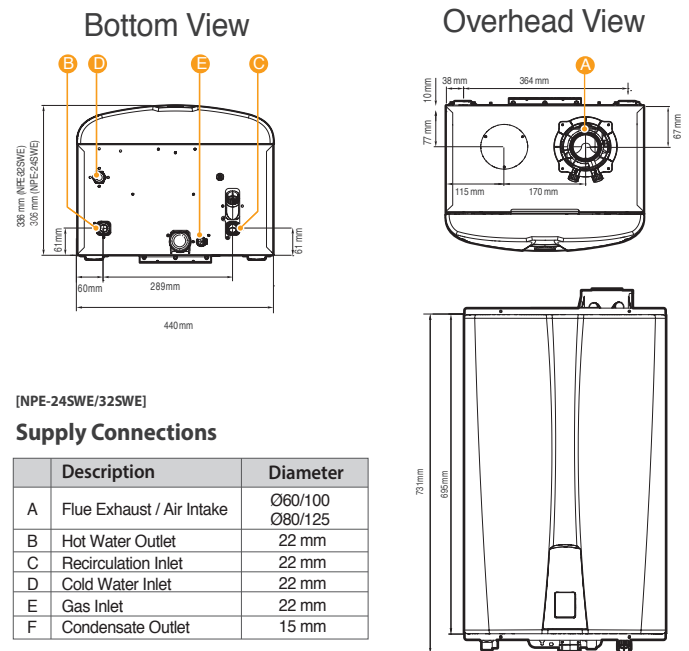
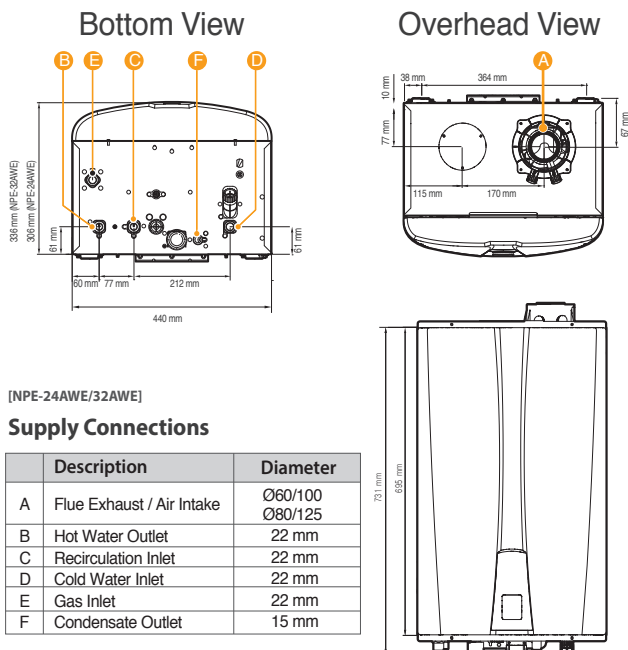
Up to 16 Premium NPE gas water heaters can be fitted in cascade for increased hot water production. No extra controller is required for this, thanks to a user-friendly control panel on the front of the unit, which makes it simple for installers to set up the system.

The Navien cascading system also balances out the workload of each unit for longer life.

Specifications

Specifications	Unit	NPE-24AWE	NPE-24SWE	NPE-32AWE	NPE-32SWE
DHW input range	kW	39.6 / 4.0	39.6 / 4.0	52.8 / 5.2	52.8 / 5.2
DHW output range	kW	42.3/4.4	42.3/4.4	56.6 / 5.8	56.6 / 5.8
Efficiency at maximum load	%	106.6	106.6	107.2	107.2
Efficiency at minimum load	%	111.0	111.0	111.0	111.0
DHW Flow Rate at 25°C temp. rise (85°C temp)	l/min	24.0	24.0	32.0	32.0
DHW Flow Rate at 75°C temp. rise (85°C temp)	l/min	8.3	8.3	11.1	11.1
Category		II2H3P			
Type		Instantaneous hot water production			
Appliance protection rating		IP X5D			
Min. DHW Working Pressure	bar	1.0			
Min. DHW Working Flow	l/min	1.8			
Max. DHW Working Pressure	bar	10.0			
Adjustable DHW Temperature Range*	°C	36~85			
Dimensions (Width x Depth x Height)	mm	440 x 306 x 695	440 x 306 x 695	440 x 336 x 695	440 x 336 x 695
Weight	kg	34	30	37	34
Installation type		Wall-mounted			
Connection diameter	Cold Water Inlet	mm	22		
	Hot Water Inlet	mm	22		
	Gas Inlet	mm	22		
Power Supply	Main Supply		230V / 50Hz		
	Max. power consumptionr	W	200W		
Flue exhaust / Air intake system types		B23, B33, B53, C13, C33, C43, C53, C63, C83			
Flue exhaust / Air intake system diameters	mm	Coaxial Ø60/100 and Ø80/125 - Dual duct Ø80/80			
Coaxial length Ø60/100	Max. Horizontal	m	20		
	Max. Vertical	m	21		
Equivalent elbow length Ø60/100	90°	m	2.4		
	45°	m	1.2		
Coaxial length Ø80/125	Max. Horizontal	m	68		
	Max. Vertical	m	70		
Equivalent elbow length Ø80/125	90°	m	2.4		
	45°	m	1.2		
Equivalent length of adapter Ø60/100 → Ø80/125	m	0.5			
Max. dual duct length Ø80/80	m	110			
Equivalent elbow length Ø80	90°	m	2.2		
	45°	m	1.4		

*Manufacturer's specifications are subject to change without notice.





 **Navien**

0344 332 23 23

info@navienuk.com

sales@navienuk.com

service@navienuk.com

www.navien.co.uk

Building 2, Ground Floor, Guildford Business Park, Guildford, GU2 8XH

